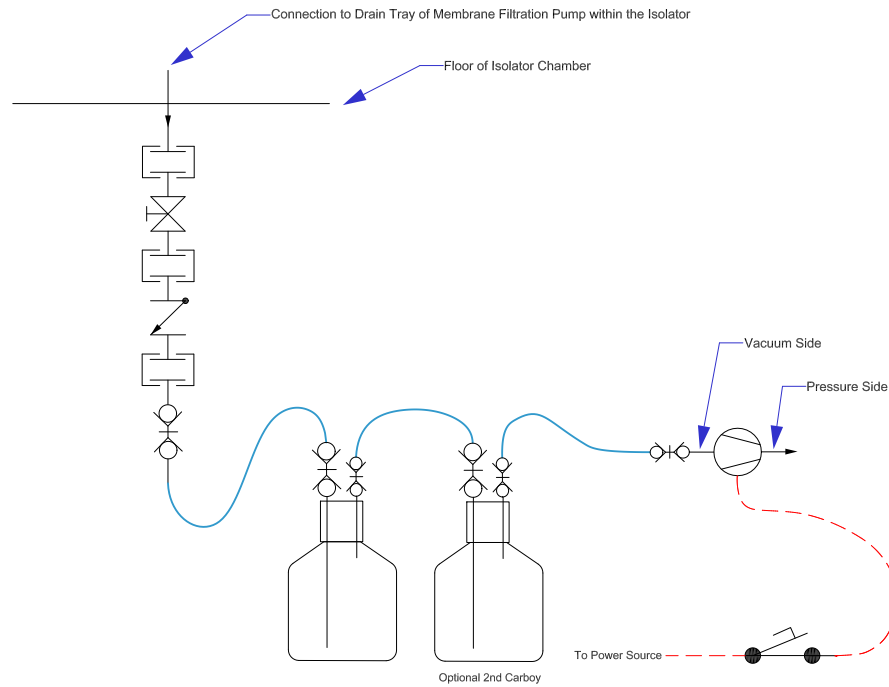
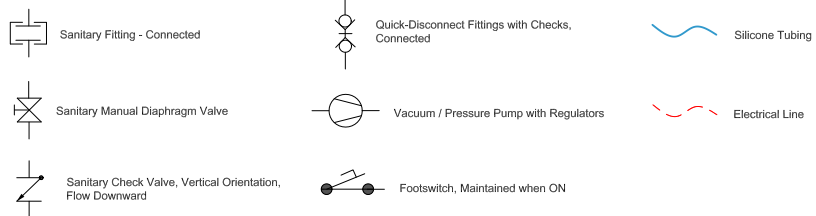


Filtrate Drain System P&ID - Room Venting Proprietary Design by Ardien Consulting Services



Key to Symbols in Drawing



Filename: Filtrate Drain System - Room Venting

Date of Last Revision: 25-May-2017

Created By: Rick Nieskes, Ardien Consulting Services